

Outer Appearance Change of the Harness for Connection between the Main Circuit Board and the Control Circuit Board for the FR-A800 Series Inverters and the FR-XC Series and FR-CC2 Series Converters

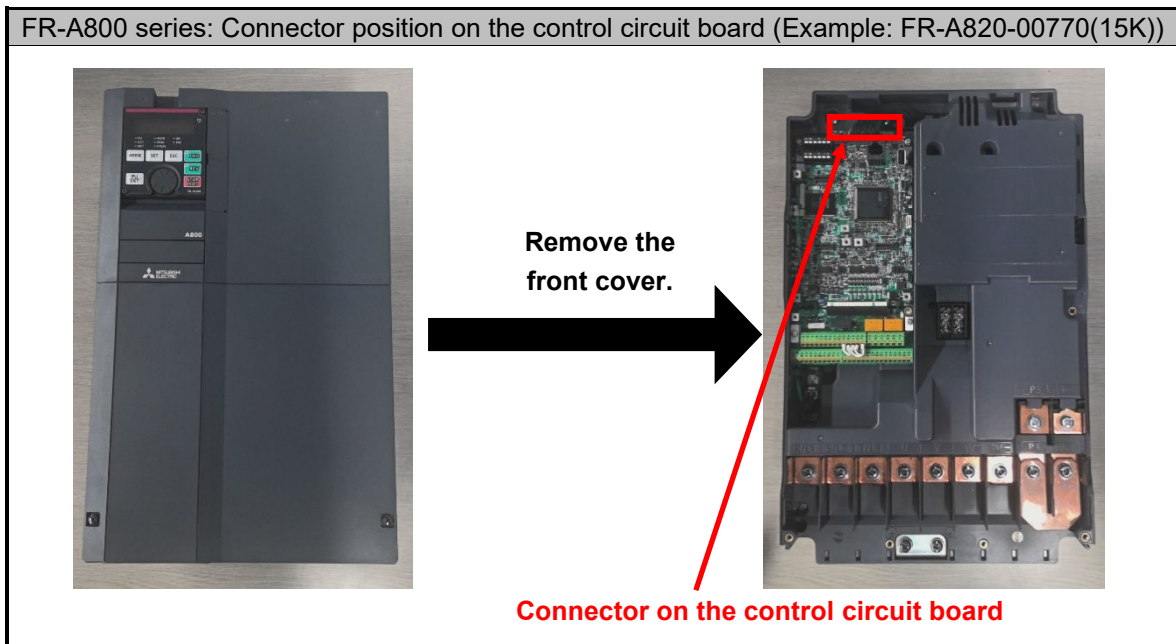
Thank you for your continued patronage of Mitsubishi Electric drive control products.
 For the applicable models, the appearance of the harness for connection between the main circuit board and the control circuit board will be changed.

1. Products Affected

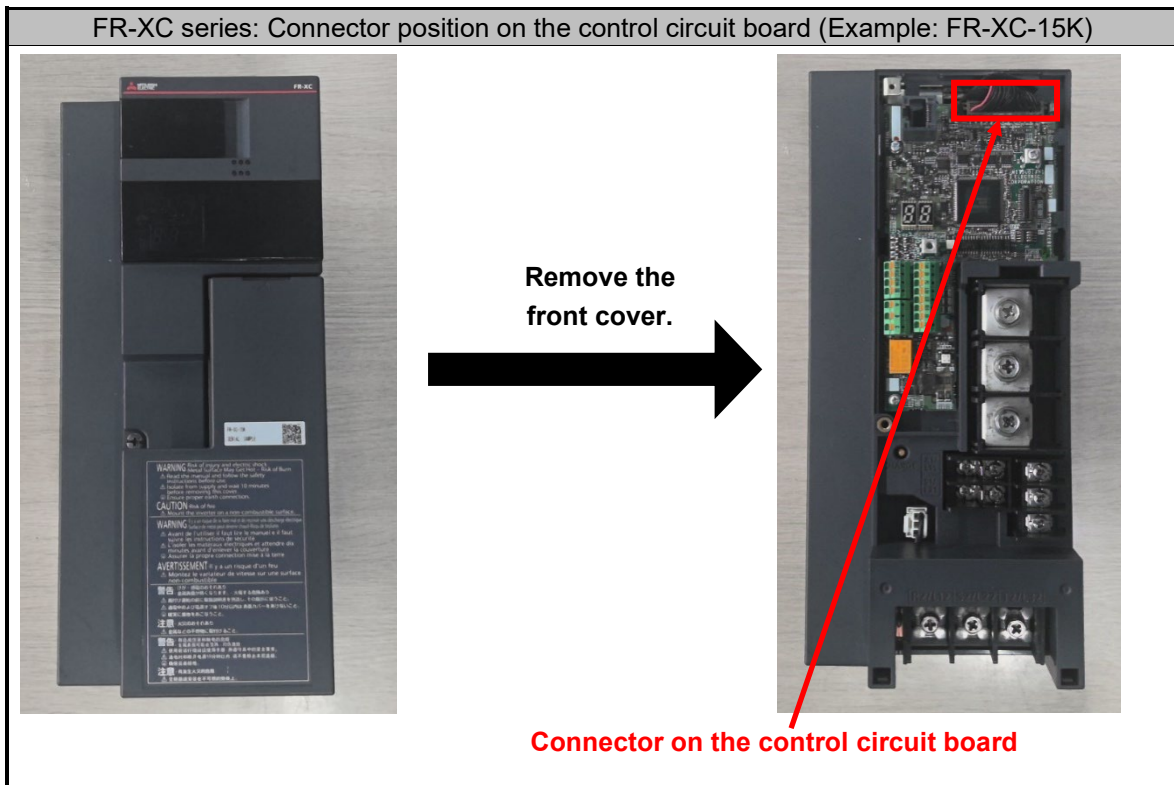
Series	Model
FR-A800	FR-A820-00770(15K) to 01250(22K), FR-A840-00470(18.5K), FR-A840-00620(22K), FR-A860-00450, FR-A872-05690 to 07150
FR-XC	All models, all capacities
FR-CC2	FR-CC2-N450K to N630K

2. Details of the Change

- (1) For the applicable models, the connector will be changed from an eject type to a lock type for the harness for connection between the main circuit board and the control circuit board. The new connector is designed to resist coming off in the event of unexpected contact.
 The connector on the control circuit board can be checked by removing the front cover.
 For details, refer to the Instruction Manual of the applicable product.

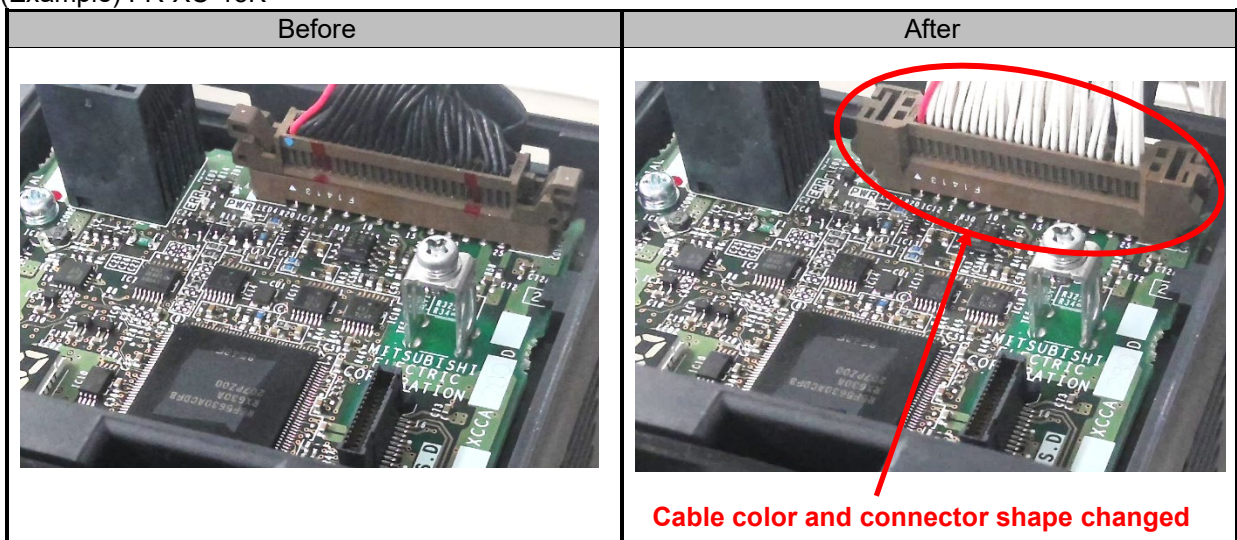


Date of issue	February 2025	Title	Outer Appearance Change of the Harness for Connection between the Main Circuit Board and the Control Circuit Board for the FR-A800 Series Inverters and the FR-XC Series and FR-CC2 Series Converters	Mitsubishi Electric Corp., Nagoya Works 5-1-14 Yada-minami, Higashi-ku, Nagoya 461-8670 Tel.: +81 (52) 721-2111 Main line
----------------------	---------------	--------------	---	---

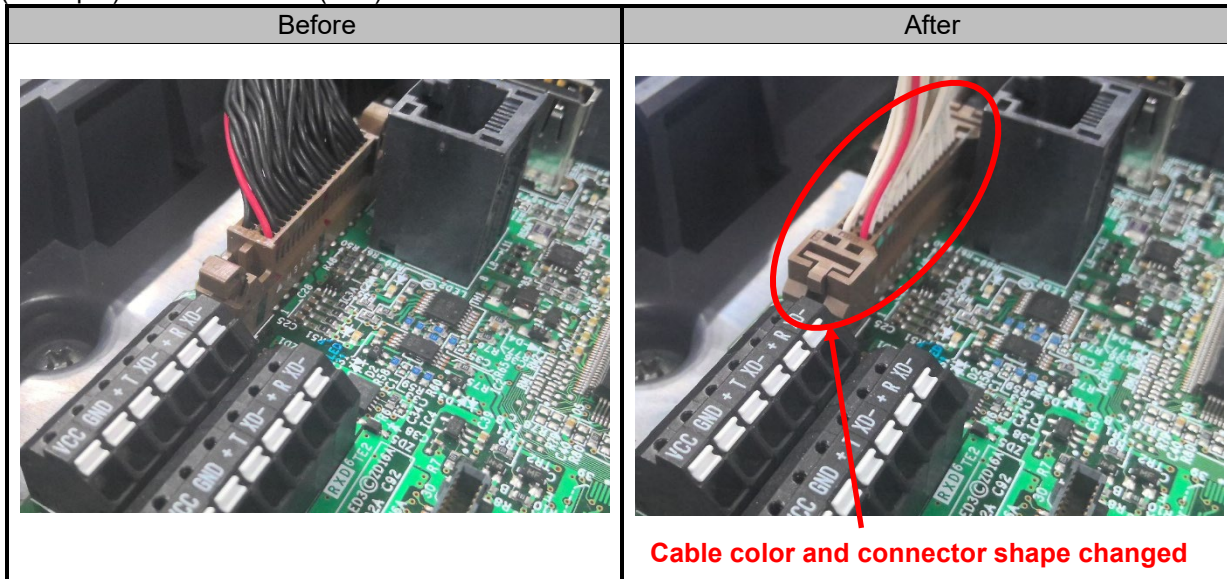


- (2) For the applicable models, the cable color will be changed from black to white for the harness for connection between the main circuit board and the control circuit board.

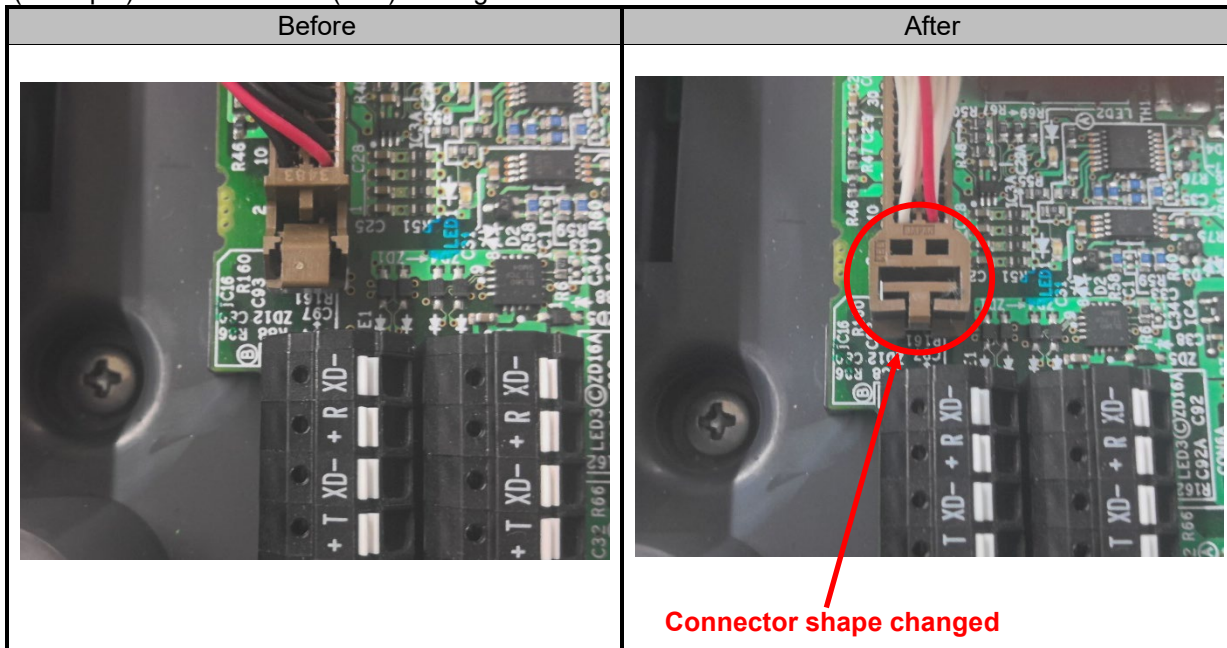
(Example) FR-XC-15K



(Example) FR-A820-00770(15K)



(Example) FR-A820-00770(15K): Enlarged view of the connector



3. Date of Change

The change will be sequentially applied to products manufactured in March 2025 or later.

4. Product Identification

The products can be identified visually.